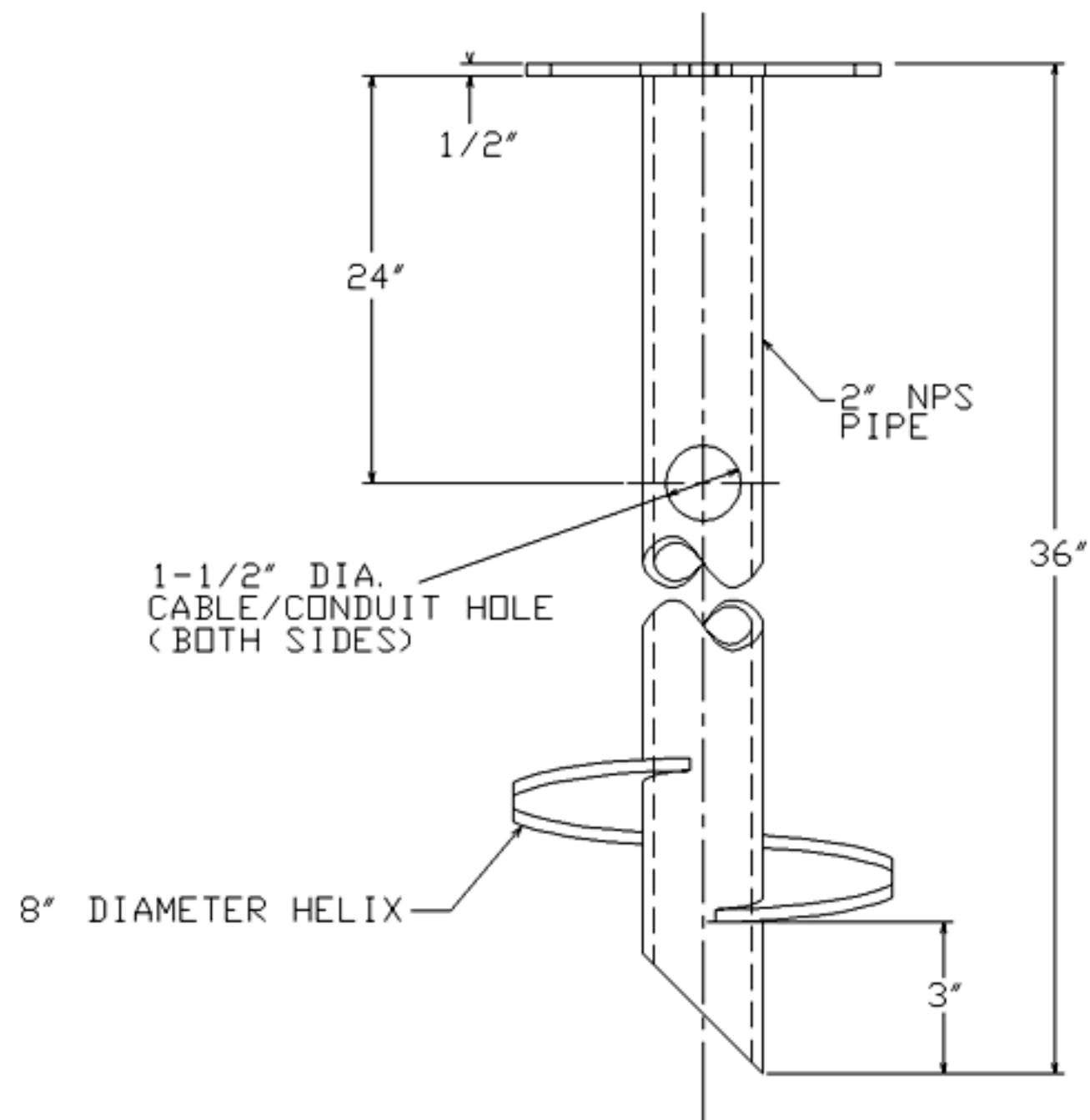



- ==NOTES==
1. HOT DIP GALVANIZE PER ASTM A153 (LATEST REVISION).
 2. INCLUDES FOUR SQUARE NECK CARRIAGE BOLTS, 1/2-13UNC 2-1/4" LONG, NUTS AND WASHERS.
 3. INSTALATION TORQUE NOT TO EXCEED 2,500 FT-LB.



BOLLARD FOUNDATION
CAT. NO. T112-0620

CHANCE		 HUBBELL® POWER SYSTEMS <small>POWER SYSTEMS, INC.</small>	
<small>CONFIDENTIAL: THIS DRAWING AND ITS CONTENTS ARE CONFIDENTIAL AND THE EXCLUSIVE PROPERTY OF HUBBELL POWER SYSTEMS. NO PUBLICATION, DISTRIBUTION OR COPIES MAY BE MADE WITHOUT THE WRITTEN CONSENT OF HUBBELL POWER SYSTEMS. HUBBELL POWER SYSTEMS UNPUBLISHED ALL RIGHTS RESERVED UNDER THE COPYRIGHT LAWS.</small>		TITLE BOLLARD FOUNDATION	
SIZE	DWG NO.	CAT / PART / ASSY NO.	REV
SB	SA112-0620	T112-0620	A
DO NOT SCALE THIS DRAWING	DRN BY KSH	DATE 11/22/04	SHEET 1/1