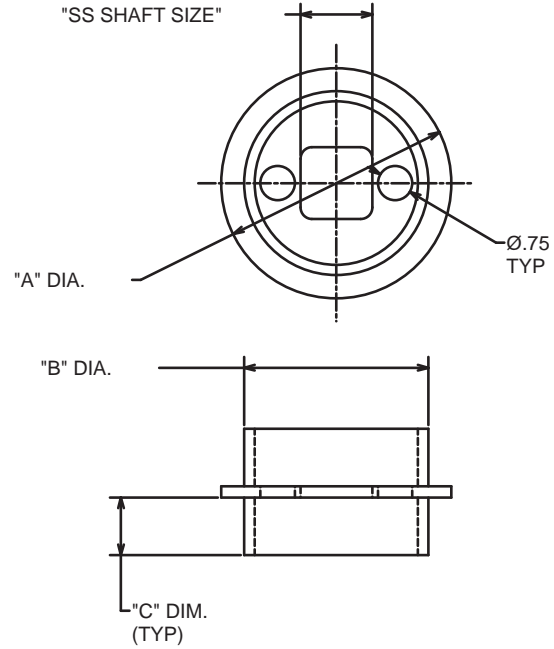


DISPLACEMENT PLATES FOR CASED GROUT COLUMNS

CASED EXTENSION DISPLACEMENT PLATE (CEDP)

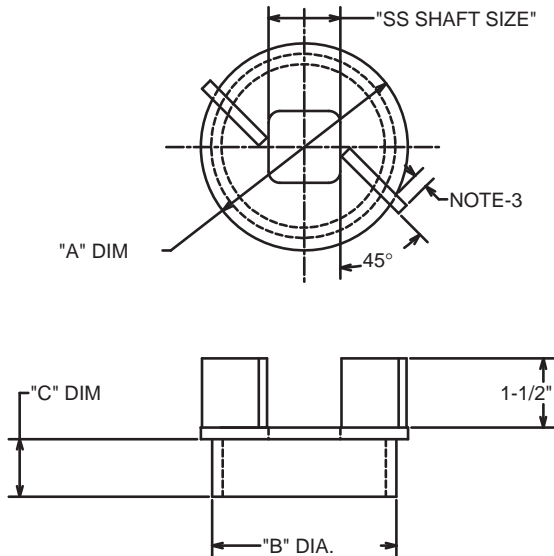


-NOTES-

1. MAT'L: 1/4" THICK STEEL.
2. FINISH: CLEARCOAT.
3. PADDLES OVERHANG OUTSIDE PERIMETER OF PLATE.

CASED EXTENSION DISPLACEMENT PLATE				
CAT. NO.	"A"	"B"	"C"	SS SHAFT SIZE
T150-0338	5"	4"	1-1/4"	1-1/2"
C150-0426	7"	6"	1-3/4"	1-3/4"
C150-0427	7"	6"	1-3/4"	2"

CASED LEAD DISPLACEMENT PLATE (CLDP)



CASED LEAD DISPLACEMENT PLATE				
CAT. NO.	"A"	"B"	"C"	SS SHAFT SIZE
T150-0339	5"	4"	1-1/4"	1-1/2"
C150-0424	7"	6"	1-3/4"	1-3/4"
C150-0425	7"	6"	1-3/4"	2"

HELICAL PULLDOWN MICROPILE[®]

LATEST EC NO.	REV.	DATE	CHANGED BY	RESP ENGINEER								
EC02042	A	10-11-00	MARTIN	LOONEY								
<table border="1" style="width: 100%; border-collapse: collapse;"> <tr> <td style="width: 15%;">MARTIN</td> <td style="width: 10%;">5-26-00</td> <td style="width: 50%; text-align: center;">CASED DISPLACEMENT PLATE</td> <td style="width: 15%;"></td> </tr> <tr> <td colspan="3"></td> <td style="text-align: center;">SA150-0338</td> </tr> </table>					MARTIN	5-26-00	CASED DISPLACEMENT PLATE					SA150-0338
MARTIN	5-26-00	CASED DISPLACEMENT PLATE										
			SA150-0338									